

# HANSEN DESIGNED FOR DX

## INTRODUCTION

Hansen's new Direct Expansion (DX) motorized control valves are well suited for applications from 5 tons to 75 tons (18 - 263 kW) of Ammonia refrigeration making them ideal for Direct Expansion and Liquid Injection. The motorized valve offers substantial upgrades in precision flow modulation, easy integration into the Multiple Valve Platform, and precise flow control over a wide range of conditions. The highly-reliable motor actuator features automatic recalibration to ensure accurate metering and tight seating when fully closed.

## APPLICATIONS

- Direct Expansion Evaporators
- Liquid Injection

## ADVANTAGES

- Valve preconfigured for application - Ready - Don't Set - Go
- Capacity\* range 5 to 75 tons [18-263 Kw] of ammonia refrigeration\*\*
- Precision flow control
- Compact design

## FEATURES

- Rugged and Reliable:
  - Provides water or rain ingress protection (IP 67/NEMA Type 6)
  - MVP dual seat seals Teflon® primary with metal backup providing long life and debris resistance
  - Optional Anti Corrosion Technology (ACT™) coating
- Versatility:
  - Available in 3 separate max capacities\* of 13 tons, 40 tons, and 75 tons of ammonia refrigeration
  - MVP available in ½" [DN13] or ¾" [DN20] end connections: SW, BW, and Pipe Thread Connections (NPT)
  - Standalone valve offered in ½" flanged configuration for connection to ½" or ¾" Pipe Thread, SW, BW, or ODS style connections
  - 24 volt Alternating Current (AC) or Direct Current (DC) power input
  - Accepts multiple input signals including: 4-20mA, 0-20mA, 0-5V, 0-10V, 1-6V and relay signal (DX controllers are also available)
  - Provides valve position feedback signal (4-20mA or 0-20mA signal)
- 800 PSI MOPD & SWP available (welded connections only; 400 PSI flanged)

## ORDERING

NOMINAL SIZE		VALVE TYPE			FLOW FACTOR (CV)
INCH	(MM)	STANDARD	MVP13 - MCXV POSTION 3	MVP13 - MCXV POSTION 4	
3/16"	(5)	MCXV/A	MVP13-1MCXVA	MVP13-7MCXVA	.6
7/32"	(7)	MCXV/B	MVP13-1MCXVB	MVP13-7MCXVB	1.1
1/16"	(2)	MCXV/C	MVP13-1MCXVC	MVP13-7MCXVC	.2

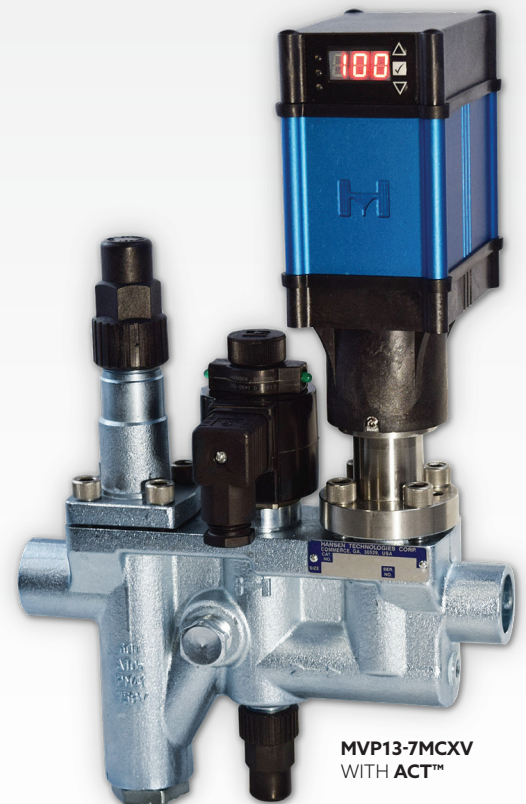
**To Order:** MCXV: Specify valve type, nominal size, connection style and size.

\*Based on condensing temperature of 86F and evaporation temperature of 20F

\*\*PXV valves available for smaller capacity applications (0-60tons); MCV available for larger



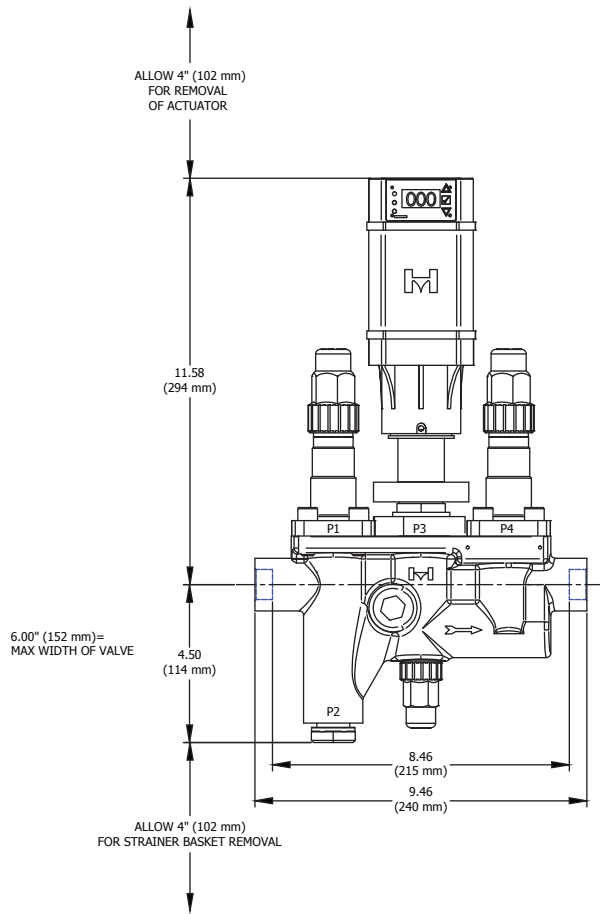
MCXV WITH ACT™



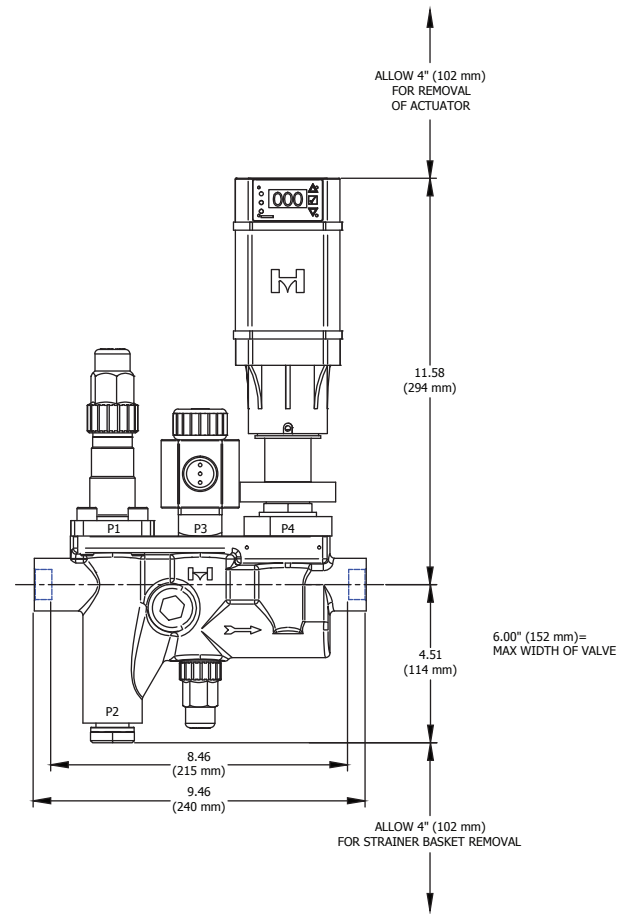
MVP13-7MCXV WITH ACT™



# MVP13-1MCXV



# MVP13-7MCXV



# MCXV

